



5200 W. CENTURY BLVD.
LOS ANGELES, CA 90045

**Smooth / Wood Grain / White Wood Grain
Rustic / Mahogany
Series N Fiberglass Door
INSWING / OUTSWING
"NON-IMPACT"**

GENERAL NOTES

1. This product has been evaluated and is in compliance with the 2010 Florida Building Code (FBC) structural requirements excluding the "High Velocity Hurricane Zone" (HVHZ).
2. Product anchors shall be as listed and spaced as shown on details. Anchor embedment to base material shall be beyond wall dressing or stucco.
3. When used in areas requiring wind borne debris protection this product is required to be protected with an impact resistant covering that complies with Section 1609.1.2 of the FBC.
4. For 2x stud framing construction, anchoring of these units shall be the same as that shown for 2x buck masonry construction.
5. Site conditions that deviate from the details of this drawing require further engineering analysis by a licensed engineer or registered architect.

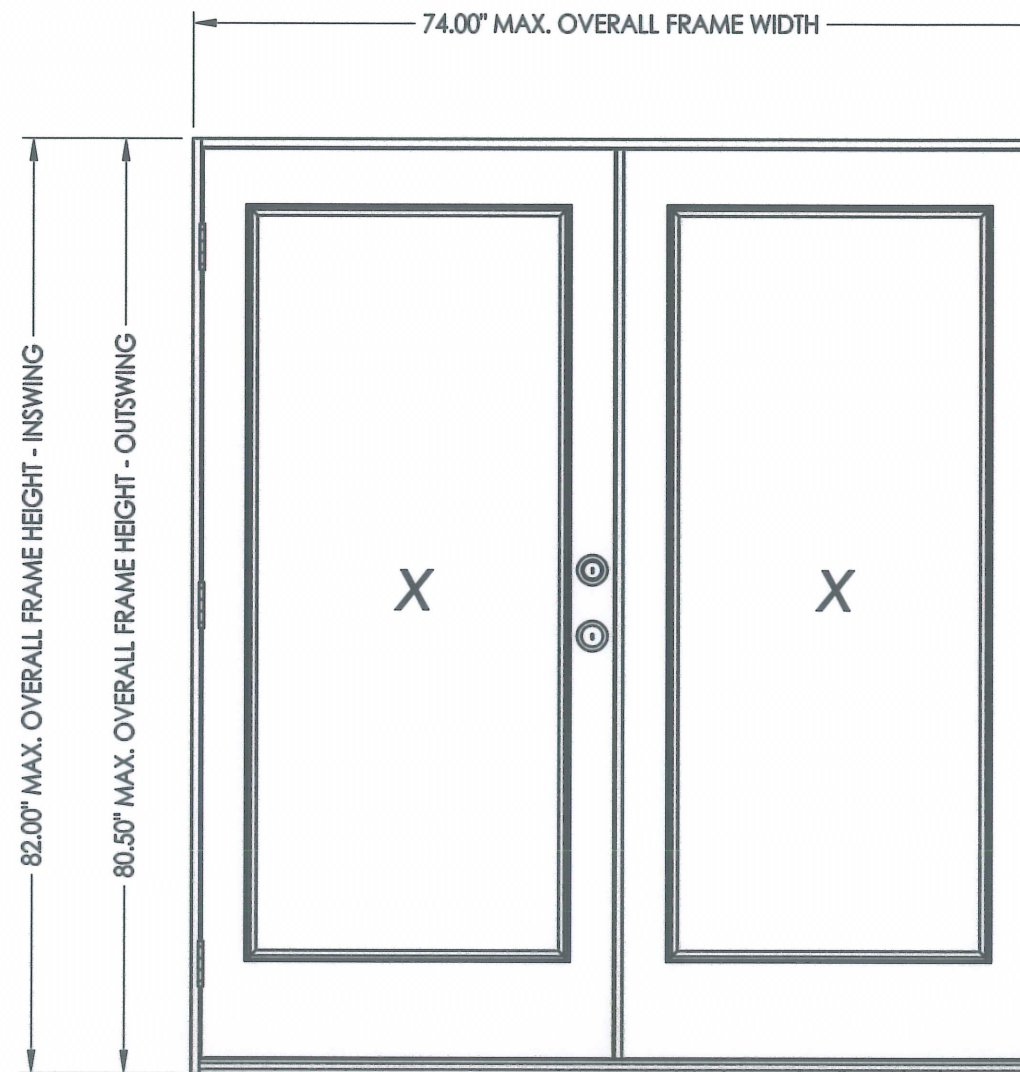


TABLE OF CONTENTS	
SHEET #	DESCRIPTION
1	Typical elevation, design pressures, & general notes
2	Door panel details
3	Horizontal cross sections
4	Vertical cross sections
5	Buck and frame anchoring - 2X buck masonry construction
6	Frame anchoring - 1X buck masonry construction
7	Endura astragal details
8	Bill of materials, glazing detail & components

SWING	OVERALL FRAME DIMENSION	DOOR D.L.O. DIMENSION	GLASS TYPE	DESIGN PRESSURE (PSF)	
				POSITIVE	NEGATIVE
INSWING	74.00" x 82.00"	21.00" x 63.00"	G1	+47.0	-47.0
OUTSWING	74.00" x 80.50"	21.00" x 63.00"		+47.0	-47.0

Documents Prepared By:

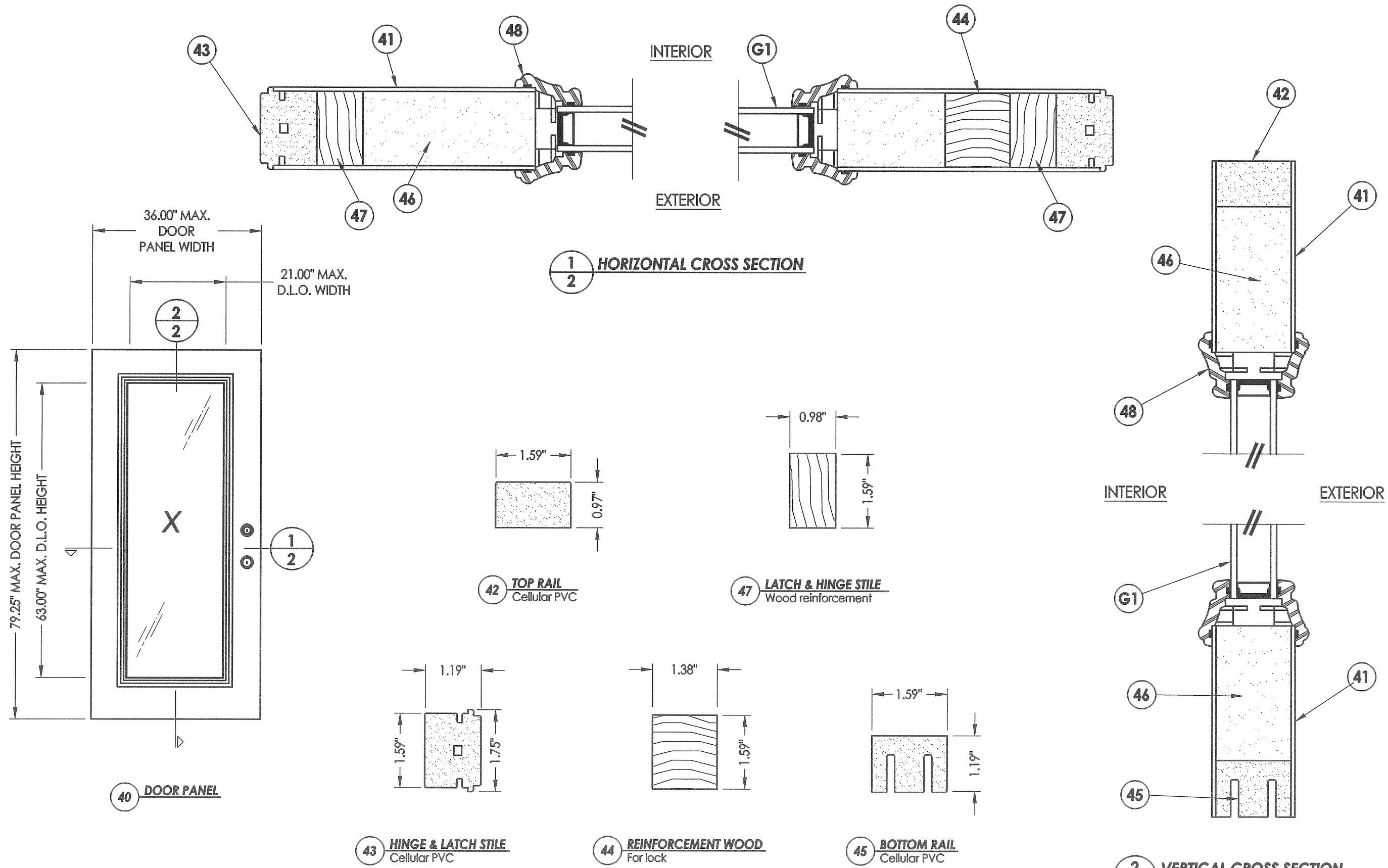
RW BUILDING CONSULTANTS, INC.
P.O. Box 230 Valrico FL 33595
Phone No.: 813.659.9197
Florida Board of Professional Engineers
Certificate of Authorization No. 9813
17FL 2-17-12
Lyndon F. Schmidt, P.E. No. 43409

PRODUCT: PLASTPRO INC. FIBERGLASS DOOR
PART OR ASSEMBLY: TYPICAL ELEVATION, DESIGN PRESSURES & GENERAL NOTES

NO.	DATE	BY	REVISIONS

DATE: 02/16/12
SCALE: N.T.S.
DWG. BY: JK
CHK. BY: LFS
DRAWING NO.: FL-15213.12
SHEET 1 OF 8

R:\A - Projects\Project Folders\proj 1501 - 1600\PF 1587\D. RWBC Drawings\2010\FL-15213.12-16.dwg, 2.12

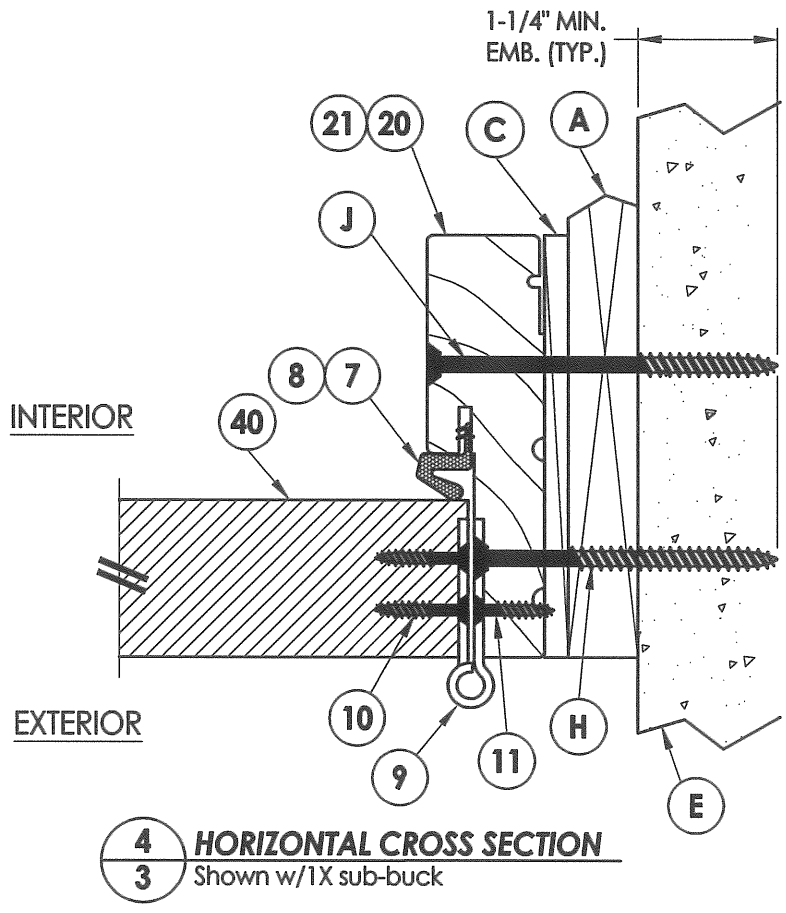
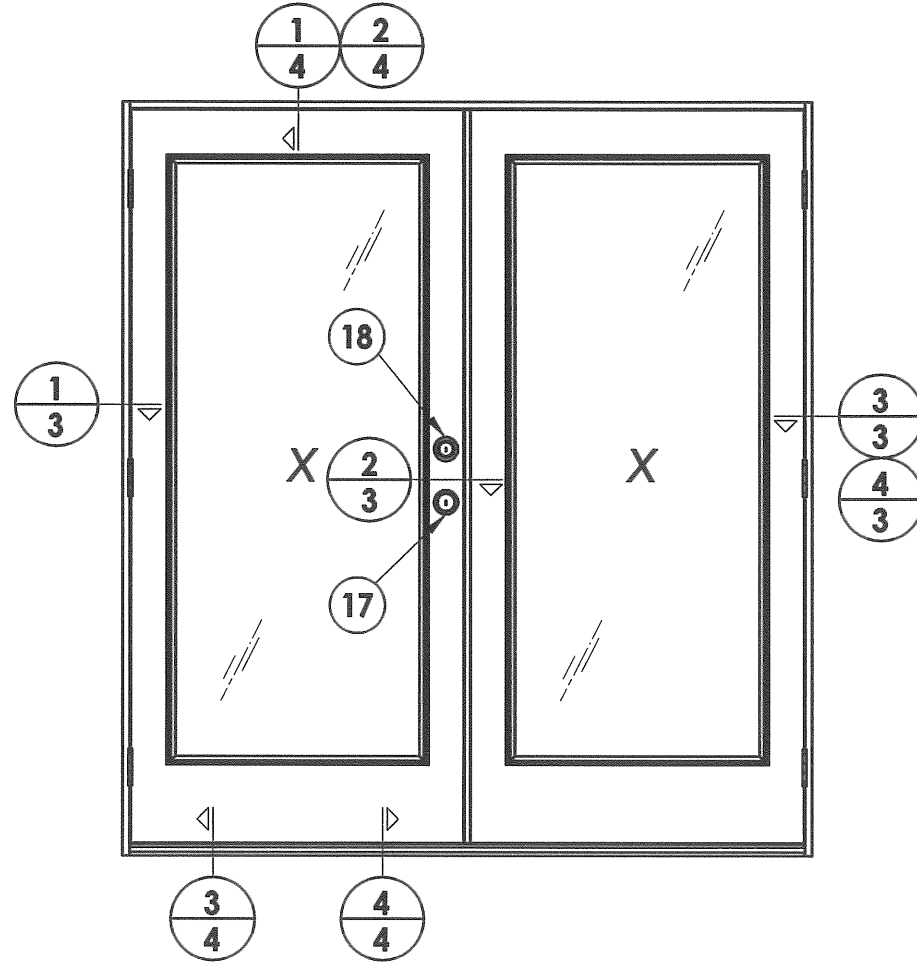


Documents Prepared By:
RW BUILDING CONSULTANTS, INC.
 P.O. Box 230 Valrico FL 33595
 Phone No.: 813.659.9197
 Florida Board of Professional Engineers
 Certificate Of Authorization No. 9813
LFS 2-17-12
 Lyndon F. Schmidt, P.E. No. 43409

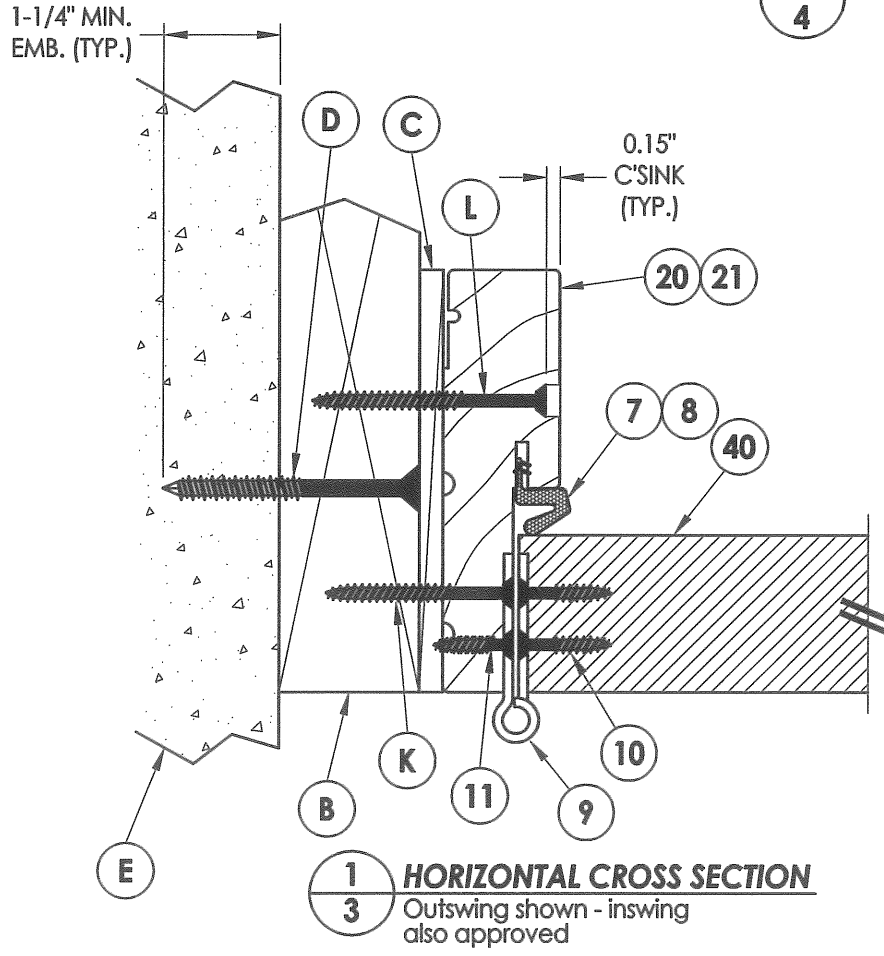
PRODUCT: PLASTPRO INC. FIBERGLASS DOOR
 PART OR ASSEMBLY: DOOR PANEL DETAILS

NO.	DATE	BY	REVISIONS

DATE: 02/16/12
 SCALE: N.T.S.
 DWG. BY: JK
 CHK. BY: LFS
 DRAWING NO.: FL-15213.12
 SHEET 2 OF 8

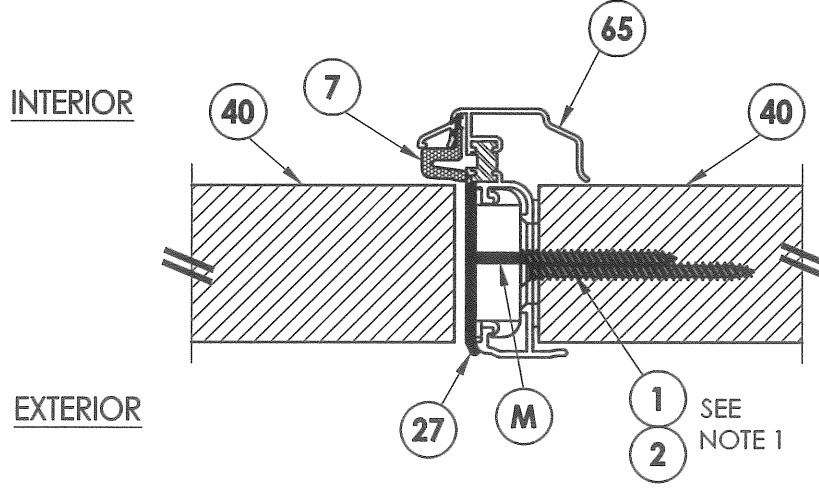


4 HORIZONTAL CROSS SECTION
3 Shown w/1X sub-buck

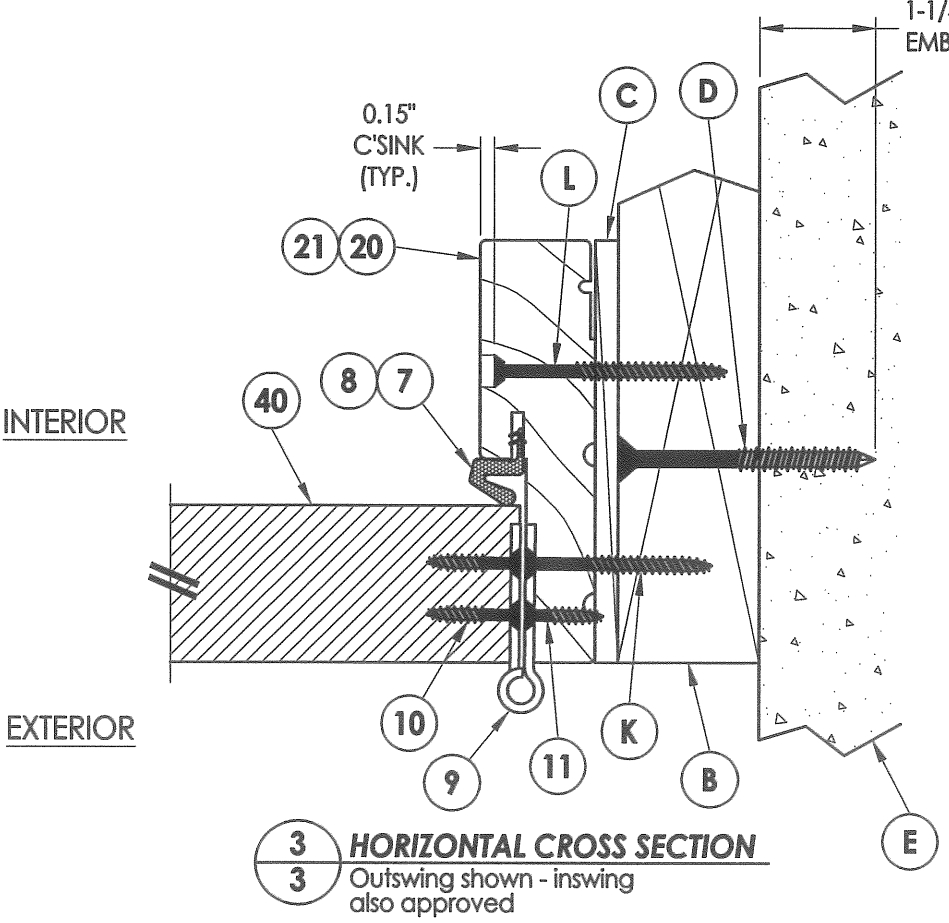


1 HORIZONTAL CROSS SECTION
3 Outswing shown - inswing also approved

NOTE:
1. As noted in the test report astragal was attached to the inactive leaf with (10) #8 x 3" psh sms and (4) #10 x 2-1/2" pfh sms for all 6'-8" (outswing). Astragal was attached to the inactive leaf with (9) #8 x 3" psh sms and (4) #10 x 2-1/2" pfh sms for all 6'-8" (inswing).



2 HORIZONTAL CROSS SECTION
3 Outswing shown - inswing also approved



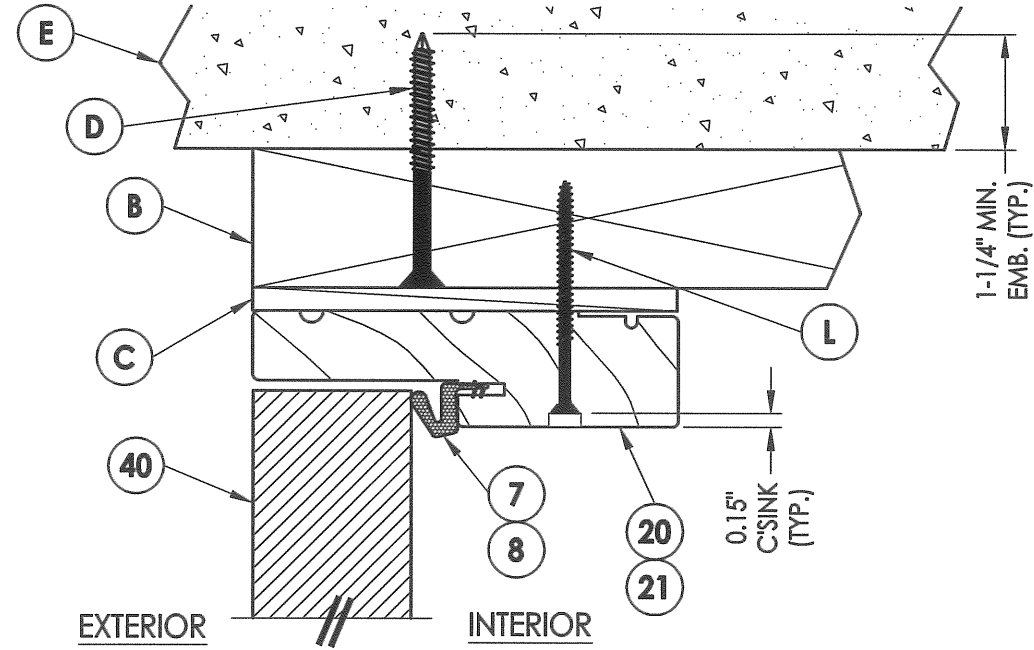
3 HORIZONTAL CROSS SECTION
3 Outswing shown - inswing also approved

Documents Prepared By:
RW BUILDING CONSULTANTS, INC.
P.O. Box 230 Valrico FL 33595
Phone No.: 813.659.9197
Florida Board of Professional Engineers
Certificate Of Authorization No. 9813
Lyndon F. Schmidt, P.E. No. 43409

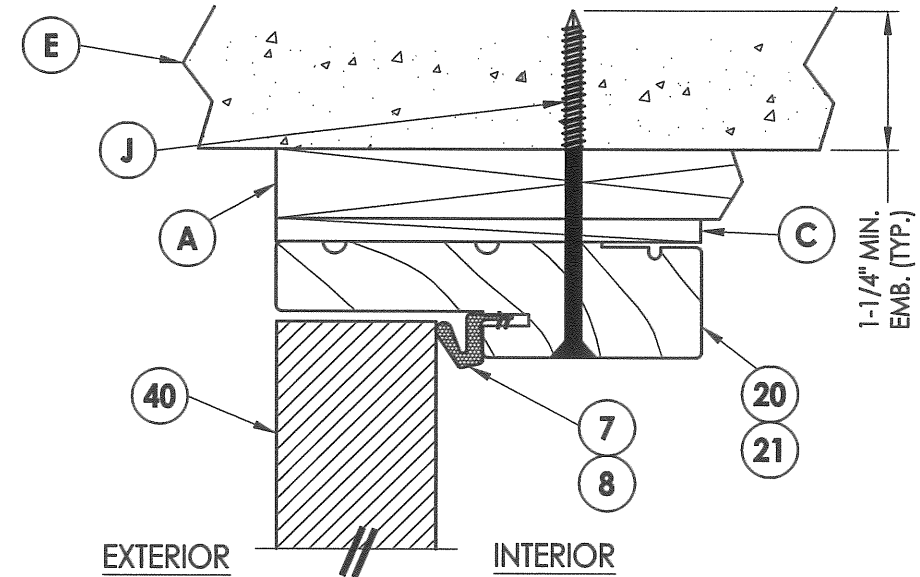
PRODUCT: PLASTPRO INC. FIBERGLASS DOOR
PART OR ASSEMBLY: HORIZONTAL CROSS SECTIONS

NO.	DATE	BY	REVISIONS

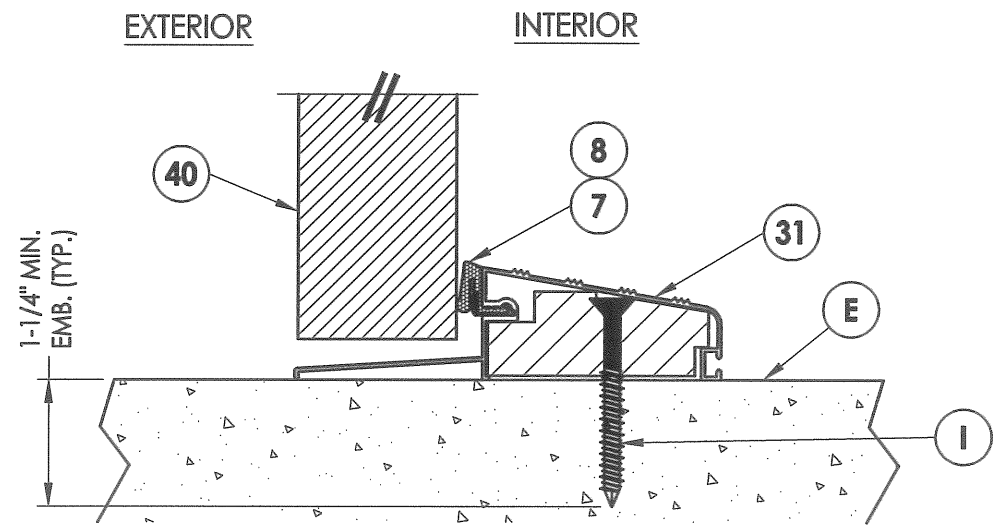
DATE: 02/16/12
SCALE: N.T.S.
DWG. BY: JK
CHK. BY: LFS
DRAWING NO.: FL-15213.12
SHEET 3 OF 8



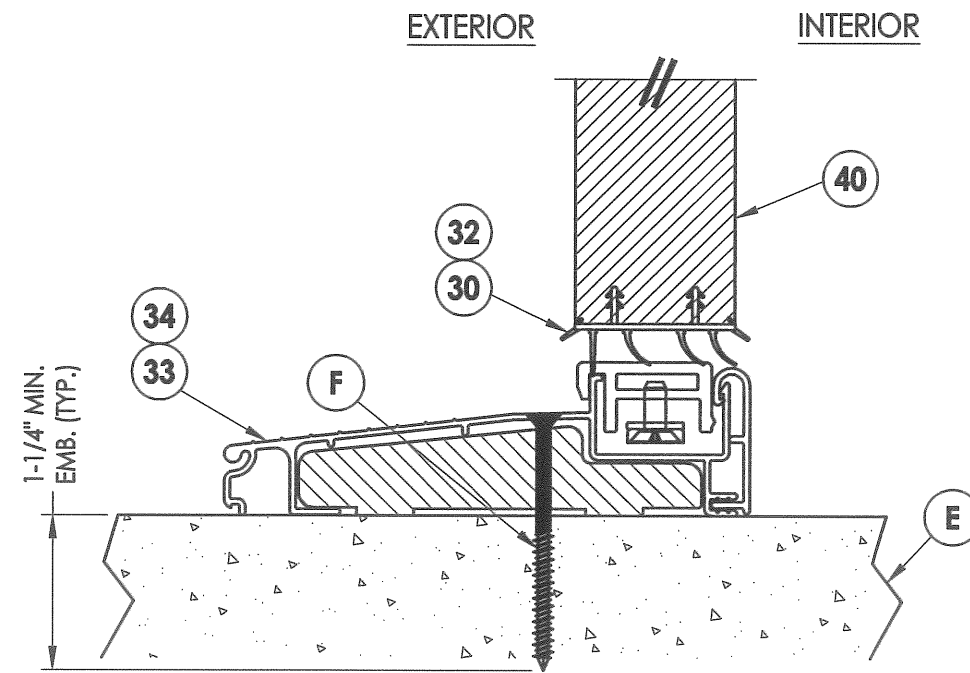
1 VERTICAL CROSS SECTION
4 Outswing shown - inswing also approved



2 VERTICAL CROSS SECTION
4 Shown w/1X sub-buck



3 VERTICAL CROSS SECTION
4 Outswing configuration



4 VERTICAL CROSS SECTION
4 Inswing configuration

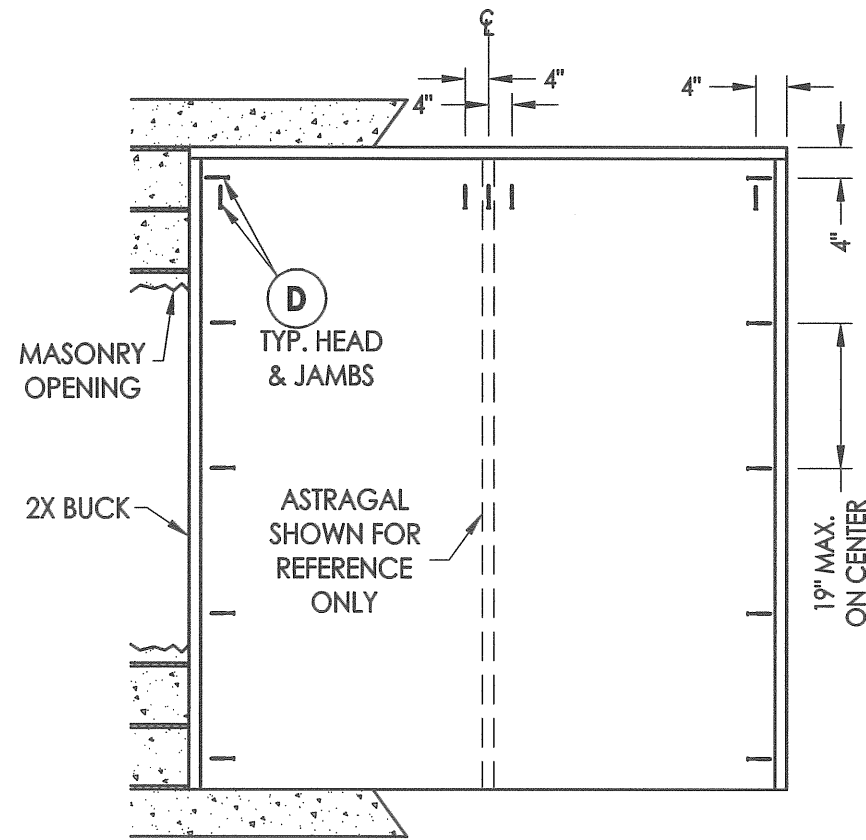
Documents Prepared By:

RW BUILDING CONSULTANTS, INC.
 P.O. Box 230 Valrico FL 33595
 Phone No.: 813.659.9197
 Florida Board of Professional Engineers
 Certificate Of Authorization No. 9813
 LFS 2-17-12
 Lyndon F. Schmidt, P.E. No. 43409

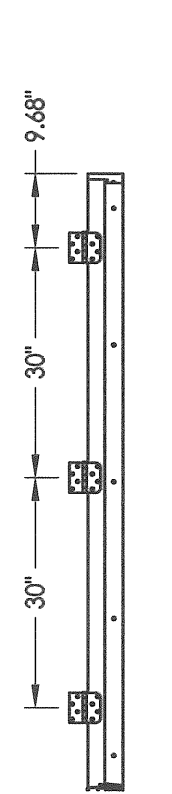
PRODUCT:
 PLASTPRO INC.
 FIBERGLASS DOOR
 PART OR ASSEMBLY:
 VERTICAL CROSS SECTIONS

NO.	DATE	REVISIONS	BY

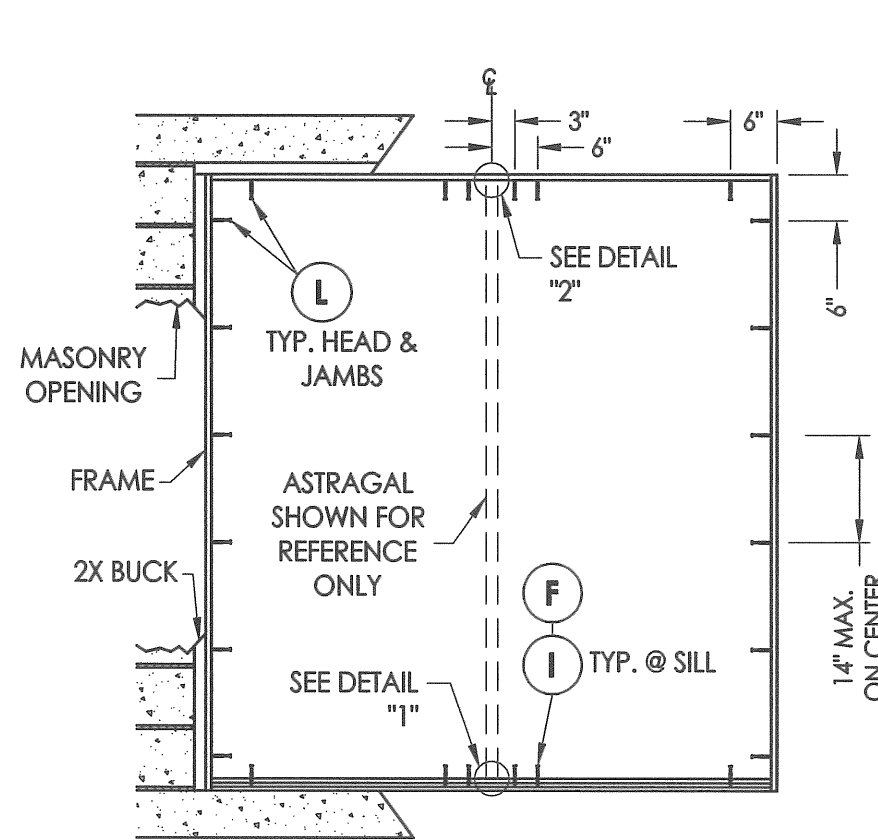
DATE: 02/16/12
 SCALE: N.T.S.
 DWG. BY: JK
 CHK. BY: LFS
 DRAWING NO.: FL-15213.12
 SHEET 4 OF 8



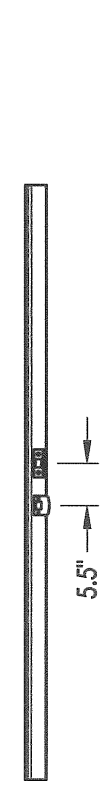
BUCK ANCHORING



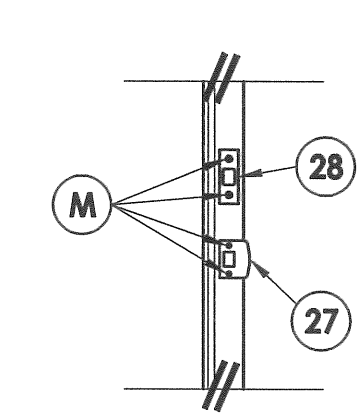
HINGE JAMB



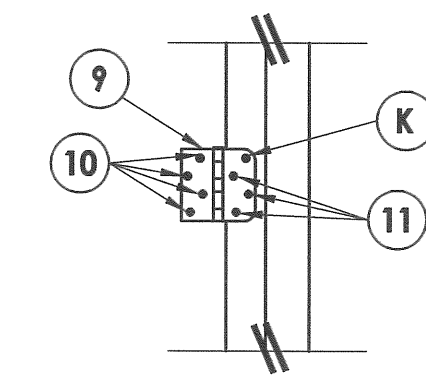
FRAME ANCHORING
Masonry 2X buck construction



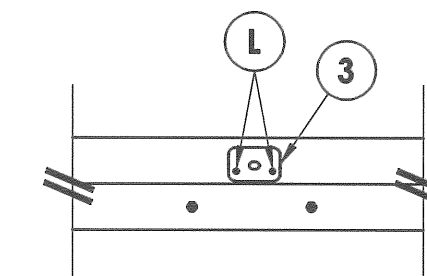
ASTRAGAL STRIKE JAMB



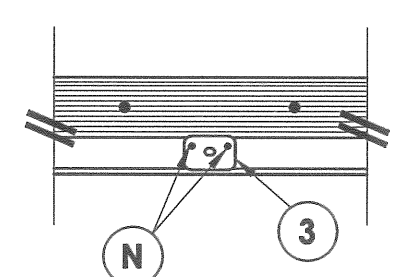
LATCH & DEADBOLT DETAIL



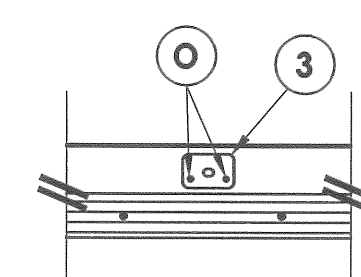
HINGE DETAIL



DETAIL 2



DETAIL 1
Inswing configuration



DETAIL 1
Outswing configuration

CONCRETE ANCHOR NOTES:

1. Substitution of equal concrete anchors from a different supplier may have different edge distance and center distance requirements.
2. Concrete anchor locations at the corners may be adjusted to maintain the min. edge distance to mortar joints. If concrete anchor locations noted as "MAX. ON CENTER" must be adjusted to maintain the min. edge distance to mortar joints, additional concrete anchors may be required to ensure the "MAX. ON CENTER" dimensions are not exceeded.
3. Concrete anchor table:

ANCHOR TYPE	ANCHOR SIZE	MIN. EMBEDMENT	MIN. CLEARANCE TO MASONRY EDGE	MIN. CLEARANCE TO ADJACENT ANCHOR
ITW	1/4"	1-1/4"	2-1/2"	3"
ELCO	1/4"	1-1/4"	1"	4"
ITW	3/16"	1-1/4"	2-5/8"	2-1/4"

Documents Prepared By:

RW BUILDING CONSULTANTS, INC.
P.O. Box 230 Vairico FL 33595
Phone No.: 813.659.9197
Florida Board of Professional Engineers
Certificate Of Authorization No. 9813
Lyndon F. Schmidt, P.E. No. 43409
2-17-12

PRODUCT: PLASTPRO INC. FIBERGLASS DOOR
PART OR ASSEMBLY: BUCK & FRAME ANCHORING 2X BUCK MASONRY CONSTRUCTION

NO.	DATE	BY	REVISIONS

DATE: 9/4/08

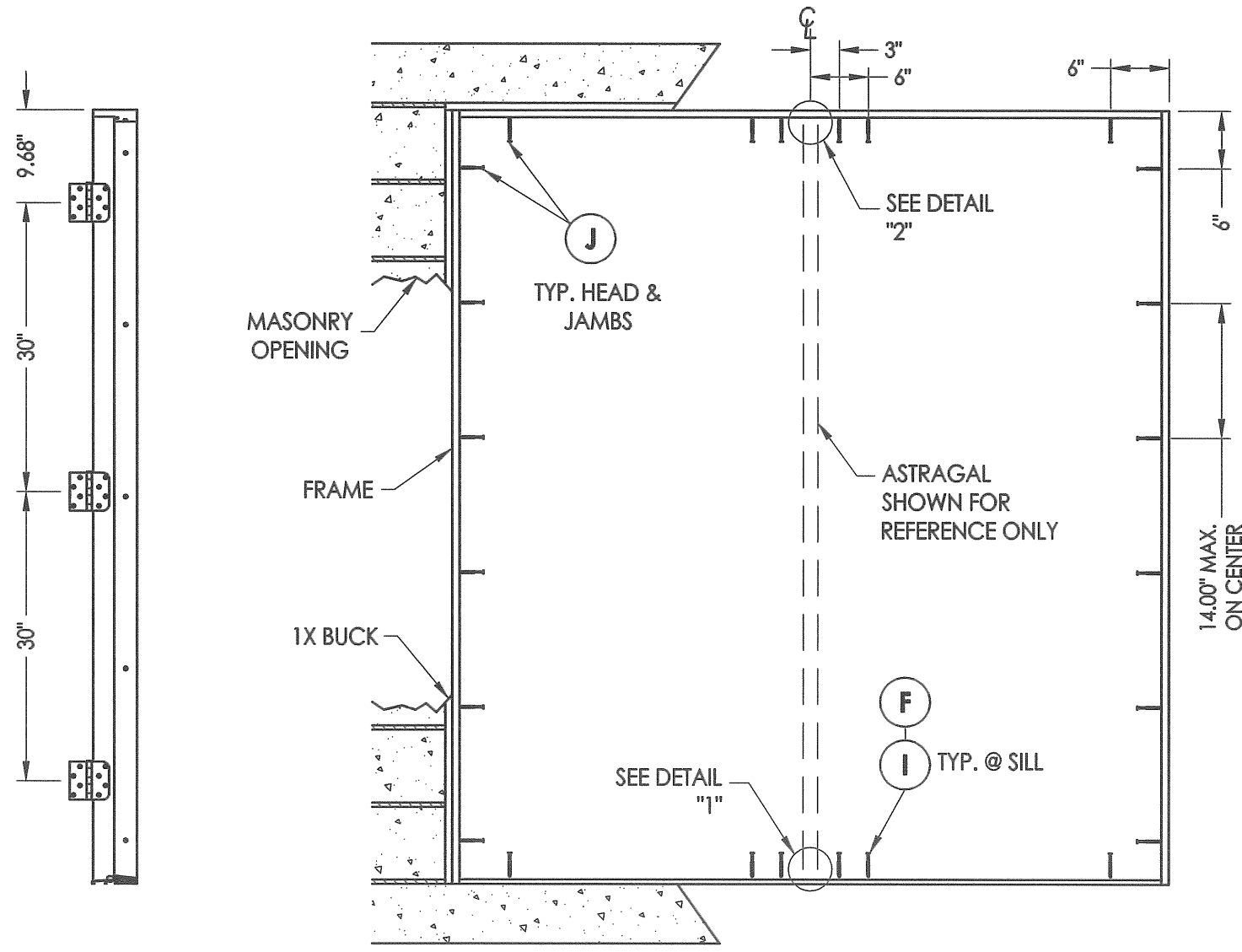
SCALE: N.T.S.

DWG. BY: JK

CHK. BY: LFS

DRAWING NO.: FL-15213.12

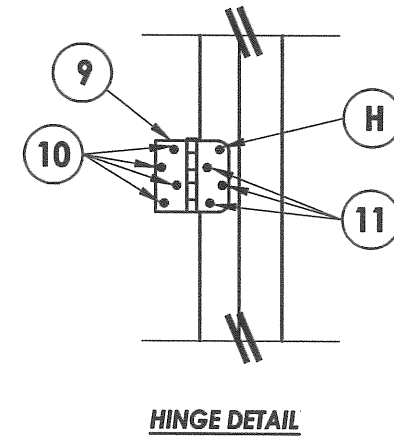
SHEET 5 OF 8



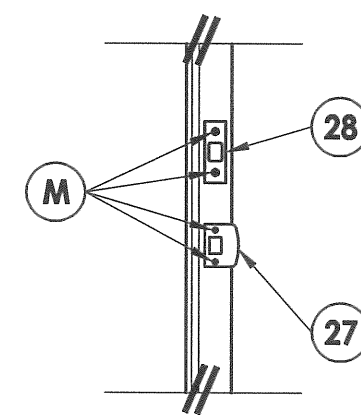
HINGE JAMB

FRAME ANCHORING
Masonry 1X buck construction

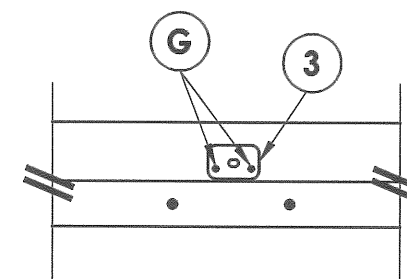
ASTRAGAL STRIKE JAMB



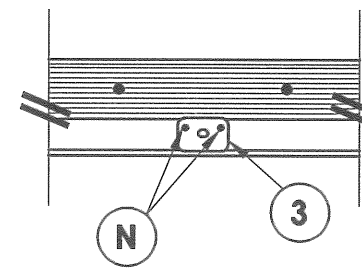
HINGE DETAIL



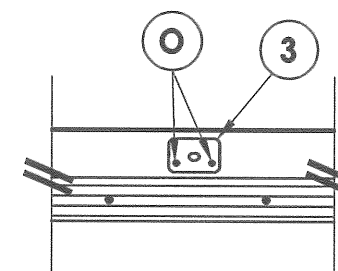
LATCH & DEADBOLT DETAIL



DETAIL 2



DETAIL 1
Inswing configuration



DETAIL 1
Outswing configuration

CONCRETE ANCHOR NOTES:

1. Substitution of equal concrete anchors from a different supplier may have different edge distance and center distance requirements.
2. Concrete anchor locations at the corners may be adjusted to maintain the min. edge distance to mortar joints. If concrete anchor locations noted as "MAX. ON CENTER" must be adjusted to maintain the min. edge distance to mortar joints, additional concrete anchors may be required to ensure the "MAX. ON CENTER" dimensions are not exceeded.
3. Concrete anchor table:

ANCHOR TYPE	ANCHOR SIZE	MIN. EMBEDMENT	MIN. CLEARANCE TO MASONRY EDGE	MIN. CLEARANCE TO ADJACENT ANCHOR
ITW	1/4"	1-1/4"	2-1/2"	3"

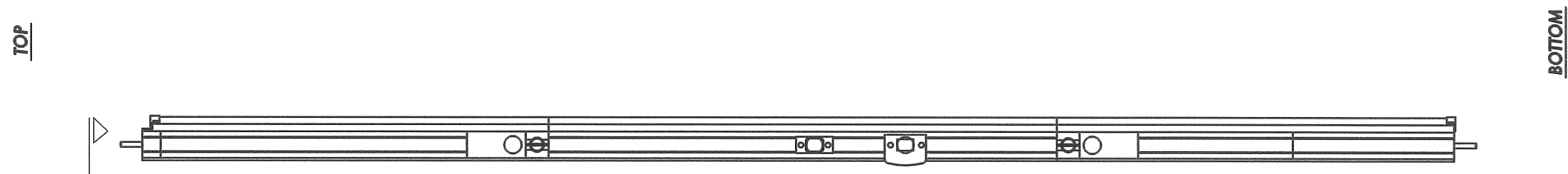
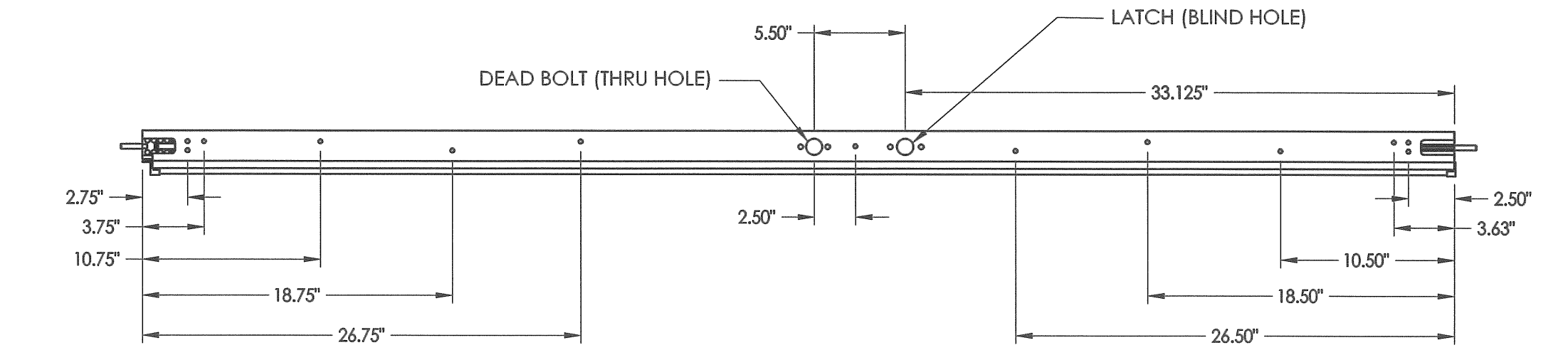
Documents Prepared By:
RW BUILDING CONSULTANTS, INC.
 P.O. Box 230 Vairico FL 33595
 Phone No.: 813.659.9197
 Florida Board of Professional Engineers
 Certificate Of Authorization No. 9813
 172 2-17-12
 Lyndon F. Schmidt, P.E. No. 43409

PRODUCT:
 PLASTPRO INC.
 FIBERGLASS DOOR
 PART OR ASSEMBLY:
 FRAME ANCHORING 1X BUCK
 MASONRY CONSTRUCTION

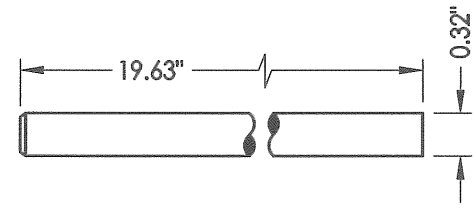
NO.	DATE	BY	REVISIONS

DATE: 9/4/08
 SCALE: N.T.S.
 DWG. BY: JK
 CHK. BY: LFS
 DRAWING NO.: FL-15213.12
 SHEET 6 OF 8

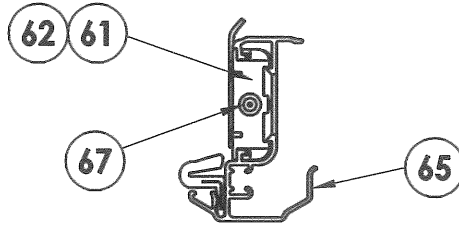
R:\A...Projects\Project Eolders\proj_1501_1600\PE 15213-12-18.dwg_7.12



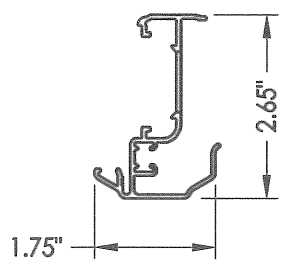
6'8 ALUMINUM ASTRAGAL ASSEMBLY
By Endura Product



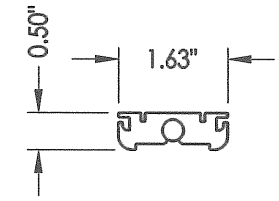
67 SLIDE BOLT ROD
MATL: Steel



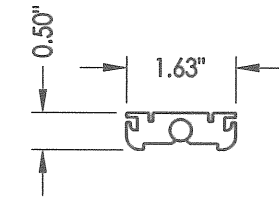
VIEW A-A
Aluminum Astragal Assembly



65 ALUMINUM ASTRAGAL
By Endura Product



62 TOP BOLT RETAINER
MATL: 9-3/4\"/>



61 TOP BOLT RETAINER
MATL: 4-3/4\"/>

PRODUCT:	PLASTPRO INC. FIBERGLASS DOOR
PART OR ASSEMBLY:	ENDURA ASTRAGAL DETAILS

NO.	DATE	BY	REVISIONS

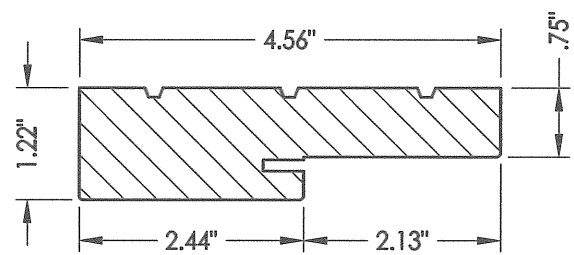
DATE:	9/4/08
SCALE:	N.T.S.
DWG. BY:	JK
CHK. BY:	LFS
DRAWING NO.:	FL-15213.12
SHEET	7 OF 8

Documents Prepared By:
RW BUILDING CONSULTANTS, INC.
P.O. Box 230 Valrico FL 33595
Phone No.: 813.659.9197
Florida Board of Professional Engineers
Certificate Of Authorization No. 9813
2.17.12
Lyndon F. Schmidt, P.E. No. 43409

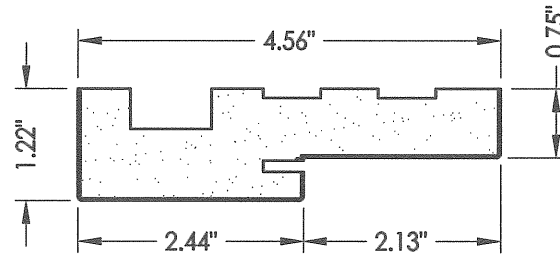
R:\A - Projects\Project Folders\proj 1501 - 1600\PF 1587\D. RWBC Drawings\2010\FL-15213.12-18.dwg, 8.12

BILL OF MATERIALS

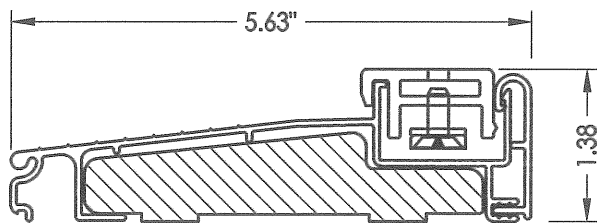
ITEM	DESCRIPTION	MATERIAL	ITEM	DESCRIPTION	MATERIAL
A	1X BUCK SG >= 0.55	WOOD	20	FINGER JOINTED PINE FRAME, HEAD & HINGE JAMBS	WOOD
B	2X BUCK SG >= 0.55	WOOD	21	POLYFIBER JAMB	COMP. / VINYL
C	1/4" MAX. SHIM SPACE	-	27	LATCH STRIKE PLATE	STEEL
D	1/4" X 2-3/4" PFH ELCO OR ITW CONCRETE SCREW	STEEL	28	DEADBOLT STRIKE PLATE	STEEL
E	MASONRY - 3,192 PSI MIN. CONCRETE CONFORMING TO ACI 301 OR HOLLOW BLOCK CONFORMING TO ASTM C90	CONCRETE	30	WEATHER-STOP 3647 HOLM INDUSTRIES	VINYL
F	1/4" X 2-3/4" PFH ITW CONCRETE SCREW	STEEL	31	OUTSWING BUMP THRESHOLD	ALUM.
G	3/16" X 3-1/4" PFH ITW CONCRETE SCREW	STEEL	32	VINYL DOOR BOTTOM SWEEP #3628 BY HOLM IND.	PVC
H	1/4" x 3-1/4" PFH ITW CONCRETE SCREW	STEEL	33	INSWING ADJUSTABLE THRESHOLD BY ENDURA	ALUM. / WOOD
I	1/4" X 2-1/4" PFH ITW CONCRETE SCREW	STEEL	34	INSWING ADJUSTABLE ALUMINUM THRESHOLD BY DLP	ALUM. / WOOD
J	1/4" X 3-3/4" PFH ITW CONCRETE SCREW	STEEL	40	DOOR PANEL - SEE DOOR PANEL DETAIL SHEET FOR CONSTRUCTION DETAILS	-
K	#9X 2-1/2" PFH WOOD SCREW	STEEL	41	DOOR SKIN (MIN. 0.075" THICK)	FIBERGLASS
L	#10 X 2-1/2" PFH WOOD SCREW	STEEL	42	TOP RAIL	CELLULAR PVC
M	#9 X 2-1/4" PFH WOOD SCREW	STEEL	43	LATCH & HINGE STILE	CELLULAR PVC
N	3/16" X 2-1/4" PFH WOOD SCREW	STEEL	44	LOCK REINFORCEMENT	WOOD
O	3/16" X 3-1/2" PFH ITW CONCRETE SCREW	STEEL	45	BOTTOM RAIL	CELLULAR PVC
1	#10 X 2-1/2" PFH SMS	STEEL	46	POLYURETHANE FOAM BY NAN YA	POLYURETHANE
2	#8 X 3" PSH SMS	STEEL	47	CONTINUOUS LATCH & HINGE STILE REINFORCEMENT	WOOD
3	FLUSH BOLT STRIKE PLATE	STEEL	48	SNAP IN LITE FRAME	ABS
7	Q-LON 650 WEATHER STRIP SCHLEGEL	FOAM	49	GLAZING COMPOUND DOW 995	SILICONE
8	COMPRESSION WEATHER STRIP QLON 650 BY SCHLEGEL	FOAM	56	GLAZING SPACER	ALUM.
9	4" X 4" BUTT HINGE	STEEL	61	4-3/4" LENGTH TOP BOLT RETAINER	HDPE
10	#9 X 1" PFH WOOD SCREW	STEEL	62	9-8/4" LENGTH TOP BOLT RETAINER	ALUMINUM
11	#9 X 3/4" PFH WOOD SCREW	STEEL	65	ASTRAGAL BY ENDURA PRODUCTS	ALUMINUM
17	KWIKSET KEYED ENTRY - SIGNATURE SERIES	STEEL	67	SLIDE BOLT ROD	STEEL
18	KWIKSET DEADBOLT - SIGNATURE SERIES (780)	STEEL			



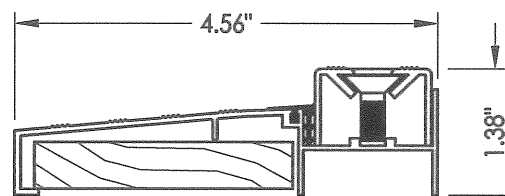
20 HEAD & SIDE Jamb



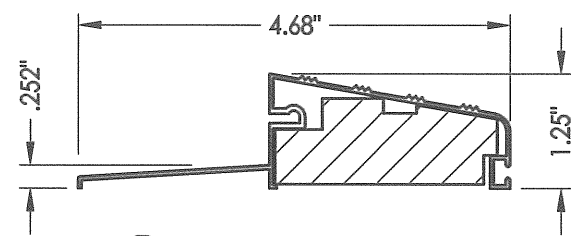
21 HEAD & SIDE Poly fiber jamb



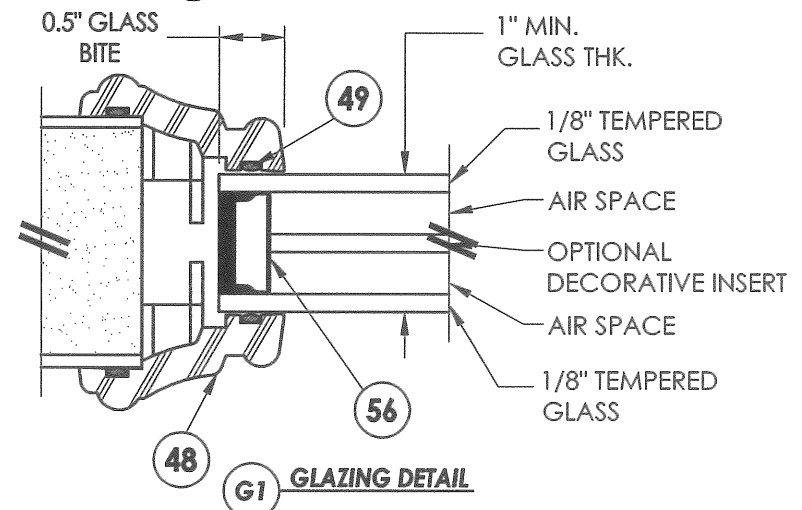
33 ADJUSTABLE INSWING THRESHOLD



34 ADJUSTABLE INSWING THRESHOLD



31 OUTSWING BUMP THRESHOLD



G1 GLAZING DETAIL

Documents Prepared By:

RW BUILDING CONSULTANTS, INC.
P.O. Box 230 Valrico FL, 33595
Phone No.: 813.659.9197
Florida Board of Professional Engineers
Certificate Of Authorization No. 9813
Lyndon F. Schmidt, P.E. No. 43409

PRODUCT: PLASTPRO INC. FIBERGLASS DOOR
PART OR ASSEMBLY: BILL OF MATERIALS, GLAZING DETAIL & COMPONENTS

NO.	DATE	BY	REVISIONS

DATE: 9/4/08
SCALE: N.T.S.
DWG. BY: JK
CHK. BY: LFS
DRAWING NO.: FL-15213.12
SHEET 8 OF 8